

HIGH PERFORMANCE SOLAR MODULES

REC AE-US

REC AE-US Series modules are the perfect choice for building solar systems that combine long lasting product quality with reliable power output. REC combines high quality design and manufacturing standards to produce high-performance solar modules with uncompromising quality.



**US - MADE
SILICON**



**ROBUST AND
DURABLE DESIGN**



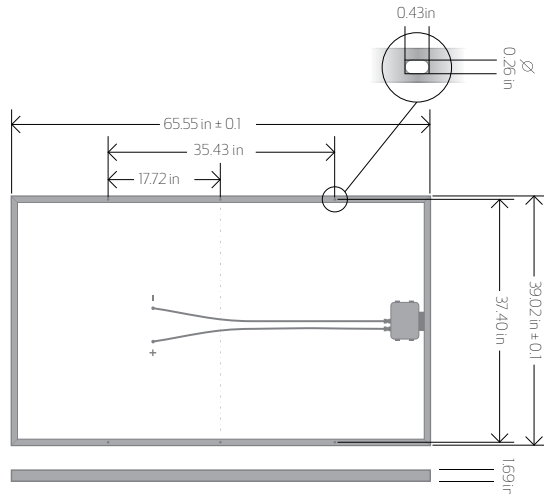
**ENERGY PAYBACK
TIME OF ONE YEAR**



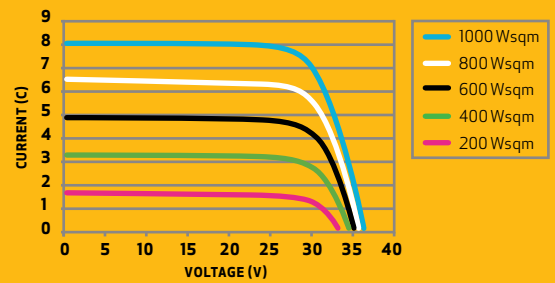
**OPTIMIZED FOR ALL
SUNLIGHT CONDITIONS**



REC AE-US SERIES



IV CHARACTERISTICS 215W MODULE



13.9 EFFICIENCY
63 MONTHS WORKMANSHIP WARRANTY
25 YEAR POWER OUTPUT WARRANTY

ELECTRICAL DATA @ STC

	REC205 AE-US	REC210 AE-US	REC215 AE-US	REC220 AE-US	REC225 AE-US	REC230 AE-US
Peak Power Watts - P_{MAX} (Wp)	205	210	215	220	225	230
Watt Class Tolerance - P_{TOL} (W)	0/+5	0/+5	0/+5	0/+5	0/+5	0/+5
Watt Class Tolerance - P_{TOL} (%)	0/+2	0/+2	0/+2	0/+2	0/+2	0/+2
Maximum Power Voltage - V_{MPP} (V)	27.6	27.9	28.2	28.5	28.7	29.0
Maximum Power Current - I_{MPP} (A)	7.5	7.6	7.7	7.8	7.9	8.0
Open Circuit Voltage - V_{OC} (V)	35.8	36.1	36.3	36.5	36.7	36.9
Short Circuit Current - I_{SC} (A)	8.2	8.3	8.3	8.4	8.5	8.6
Module Efficiency (%)	12.4	12.7	13.0	13.3	13.6	13.9

Values at Standard Test Conditions STC (Air Mass AM1.5, Irradiance 1000 W/m², Cell temperature 25 °C)

GENERAL DATA

Cell Type	156 x 156 mm multi-crystalline cells 60 cells in series - 3 strings of 20 cells
Glass	High-transparency solar glass with antireflection surface treatment by Sunarc Technology
Back sheet	Tedlar®-PET
Frame	Anodized aluminium
Connectors	2 x 61 in (1.55m) solar cables with MC4 connectors

WARRANTY

10 years limited warranty of 90% power output
 25 years limited warranty of 80% power output
 63 months limited product warranty

MAXIMUM RATINGS

Operational Temperature	-40 ... +176°F [-40 ... +80°C]
Maximum System Voltage (UL 1703)	600V
Maximum Load (IEC 61215)	112 lbs/ft ² (5400 Pa)
Design Load (UL 1703)	75.2 lbs/ft ² (3600 Pa)
Wind Speed	122 mph (safety factor 3, 197 km/h)
Max Series Fuse Rating	15A
Max Reverse Current	15A

Note! Specifications subject to change without notice.

TEMPERATURE RATINGS (230W RATED MODULE)

Nominal Operating Cell Temperature (NOCT)	48.6°C (±2°C)
Temperature Coefficient of P_{MPP}	-0.497%/°C
Temperature Coefficient of V_{OC}	-0.370%/°C
Temperature Coefficient of I_{SC}	0.109%/°C

CERTIFICATION



Certified according to UL 1703 - 3rd edition
 CEC/CSI listed

MECHANICAL DATA

Dimensions	65.55" x 39.02" x 1.69"
Area	17.76 ft ²
Weight	48.50 lbs

REC is the leading vertically integrated player in the solar energy industry. REC Silicon and REC Wafer are among the world's largest producers of polysilicon and wafers for solar applications. REC Solar is a rapidly growing manufacturer of solar cells and modules. In 2008, REC Group had revenues of NOK 8 191 million and an operating profit of NOK 2 529 million. About 2 400 employees work in REC's worldwide organization.

For further information, contact your local distributor or visit our web site: www.recgroup.com



REC Solar AS
 Kjørboveien 29
 1302 Sandvika
 Norway

www.recgroup.com